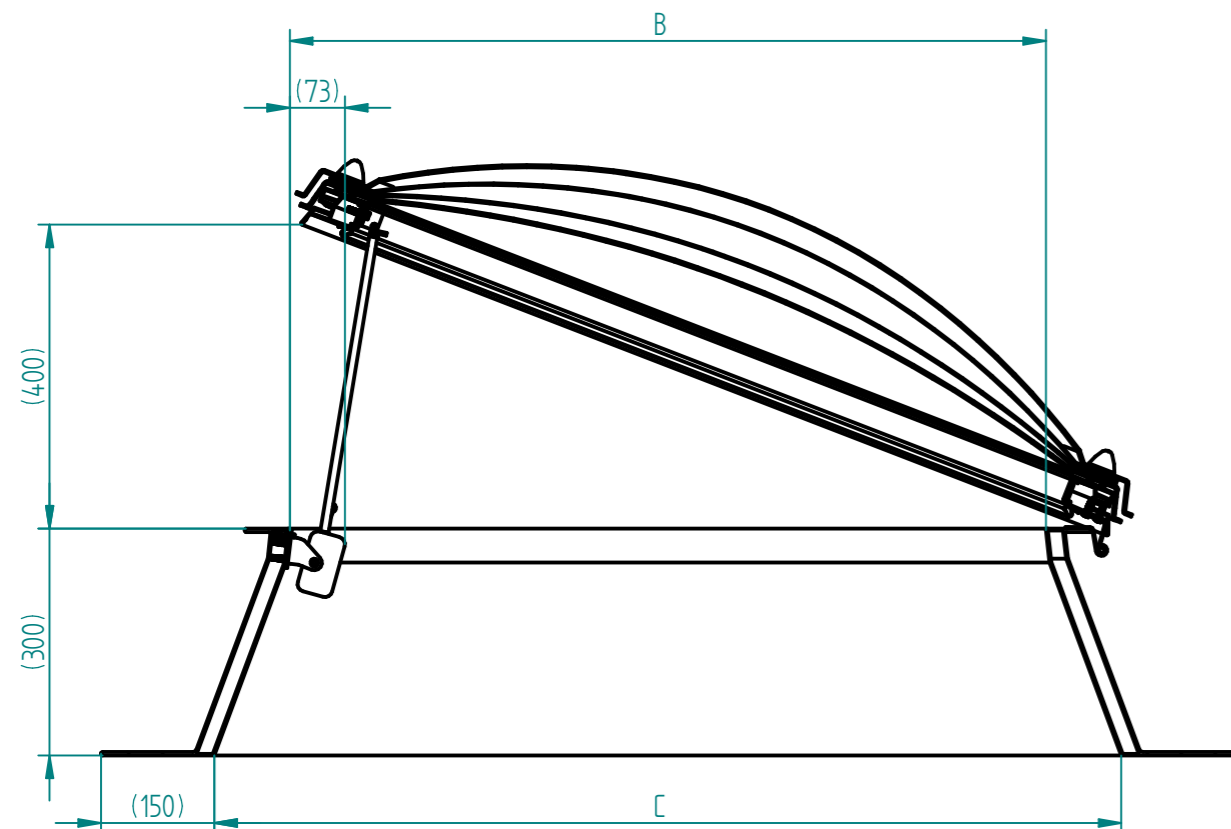
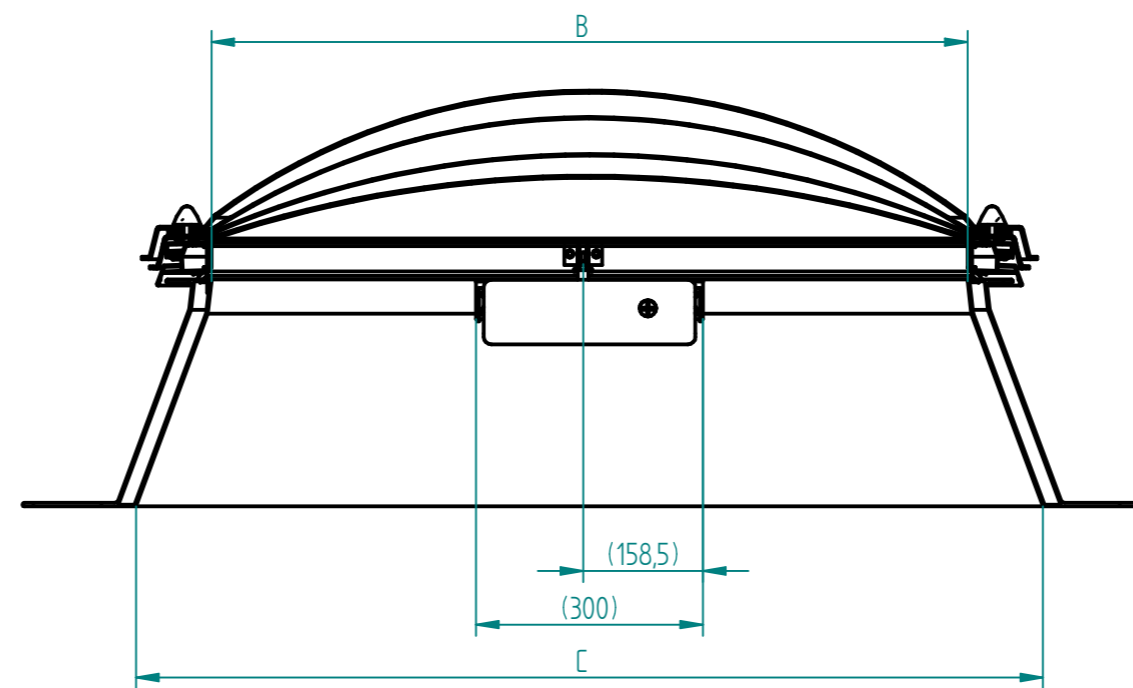


SKYLUX ELECTRIC CHAIN MOTOR D30 open & closed, with Skylux 4 walled dome.
 Possible dome types depending on chosen dimensions.
 For dimensions B & C see price list.

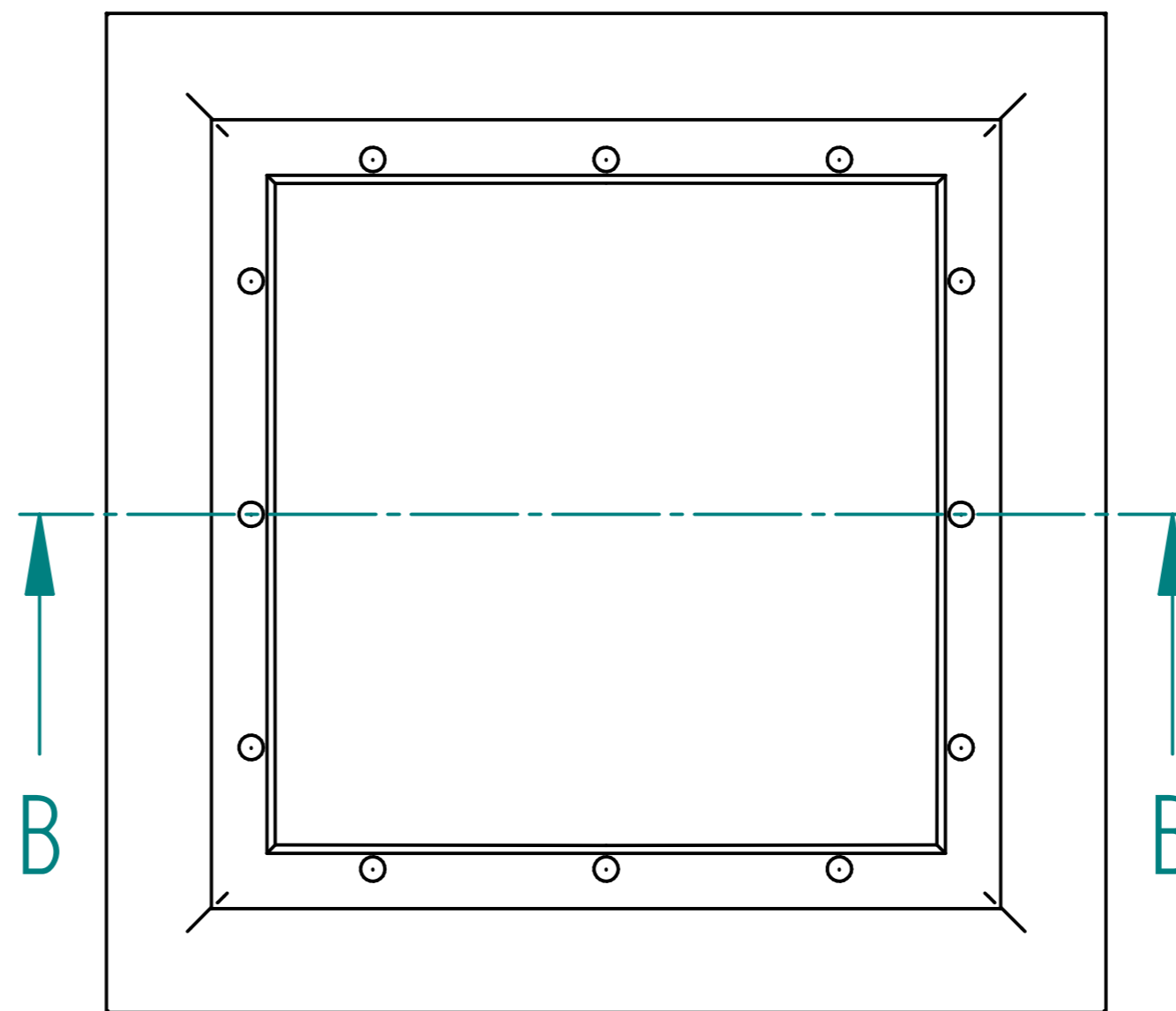
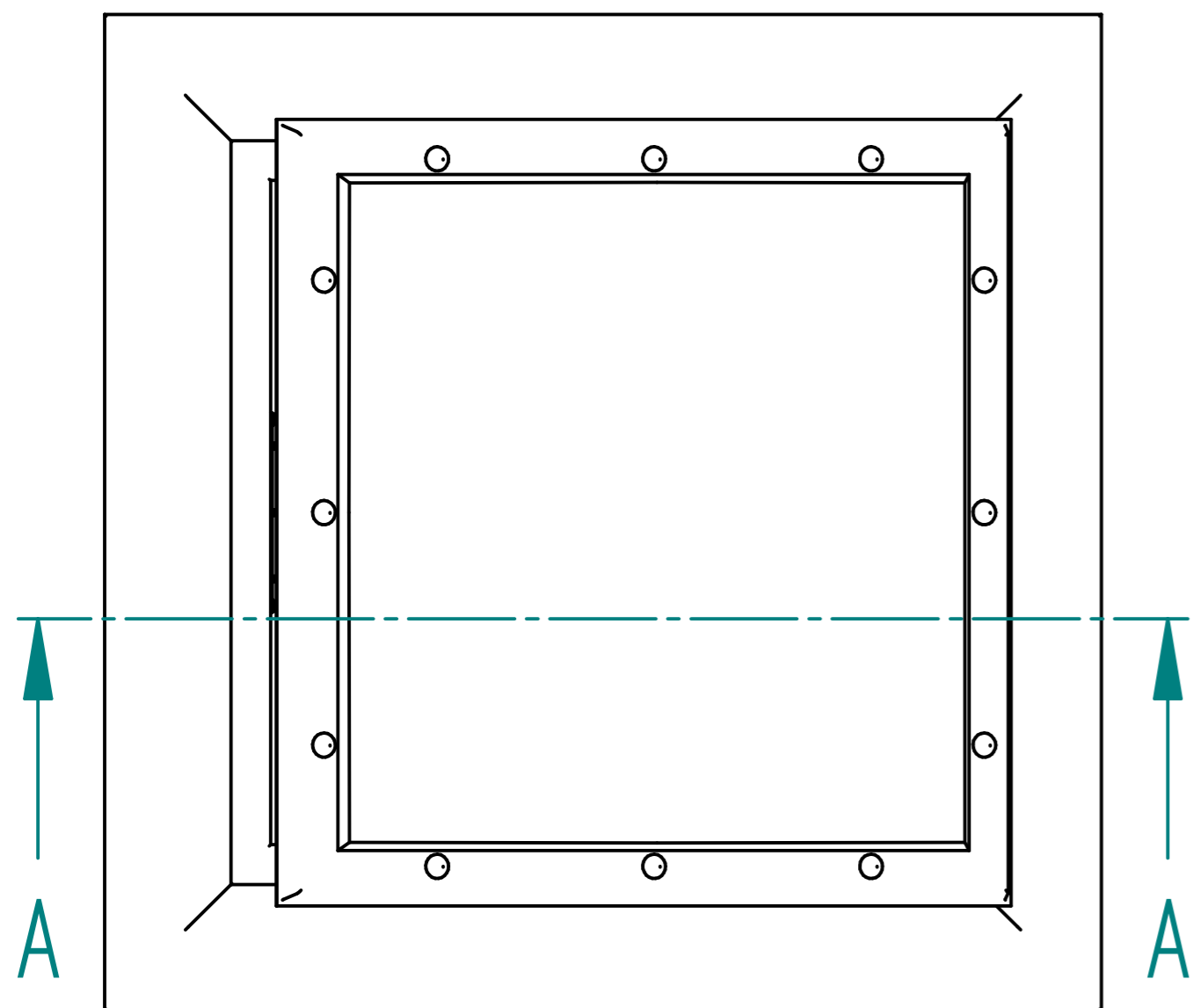
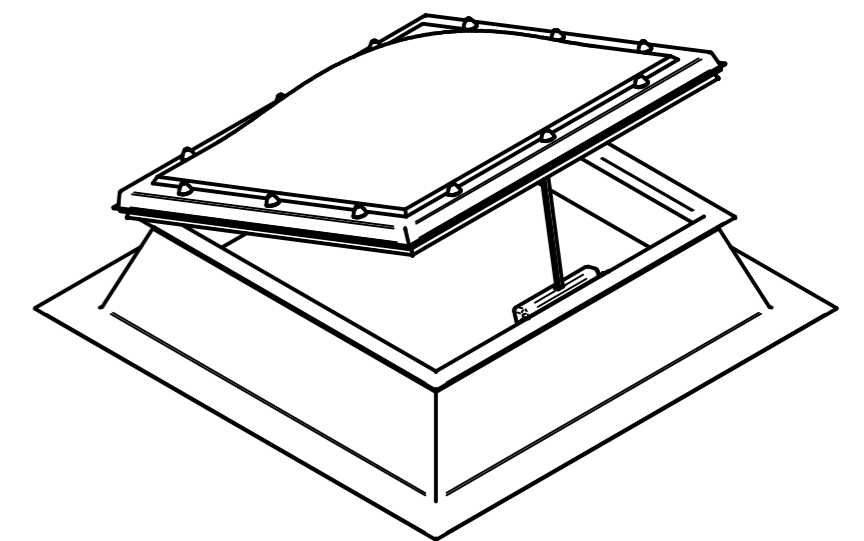
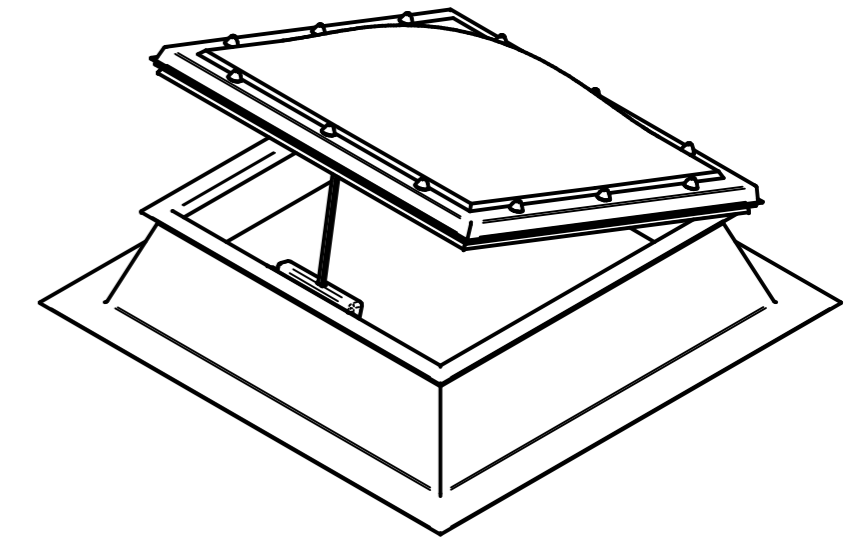
REVISION HISTORY			
REV	DESCRIPTION	DATE	APPROVED



SECTION A-A



SECTION B-B



Material		
Density		
Mass	0,000 kg	FILE NAME: PVC raam+4W koepel+opstand D30+k
Volume	0,00 dm ³	TITLE:
Surface		A2
Ixx	0,000000 kg.mm ²	Last modification on 13/06/2017
Designer	pide	SCALE:
Date	13/06/2017	SHEET 1 OF 1
TOLERANCES: according appropriate standard *e.g. EN12020-2, DIN16941, DIN16901, DIN7168 Middle...		