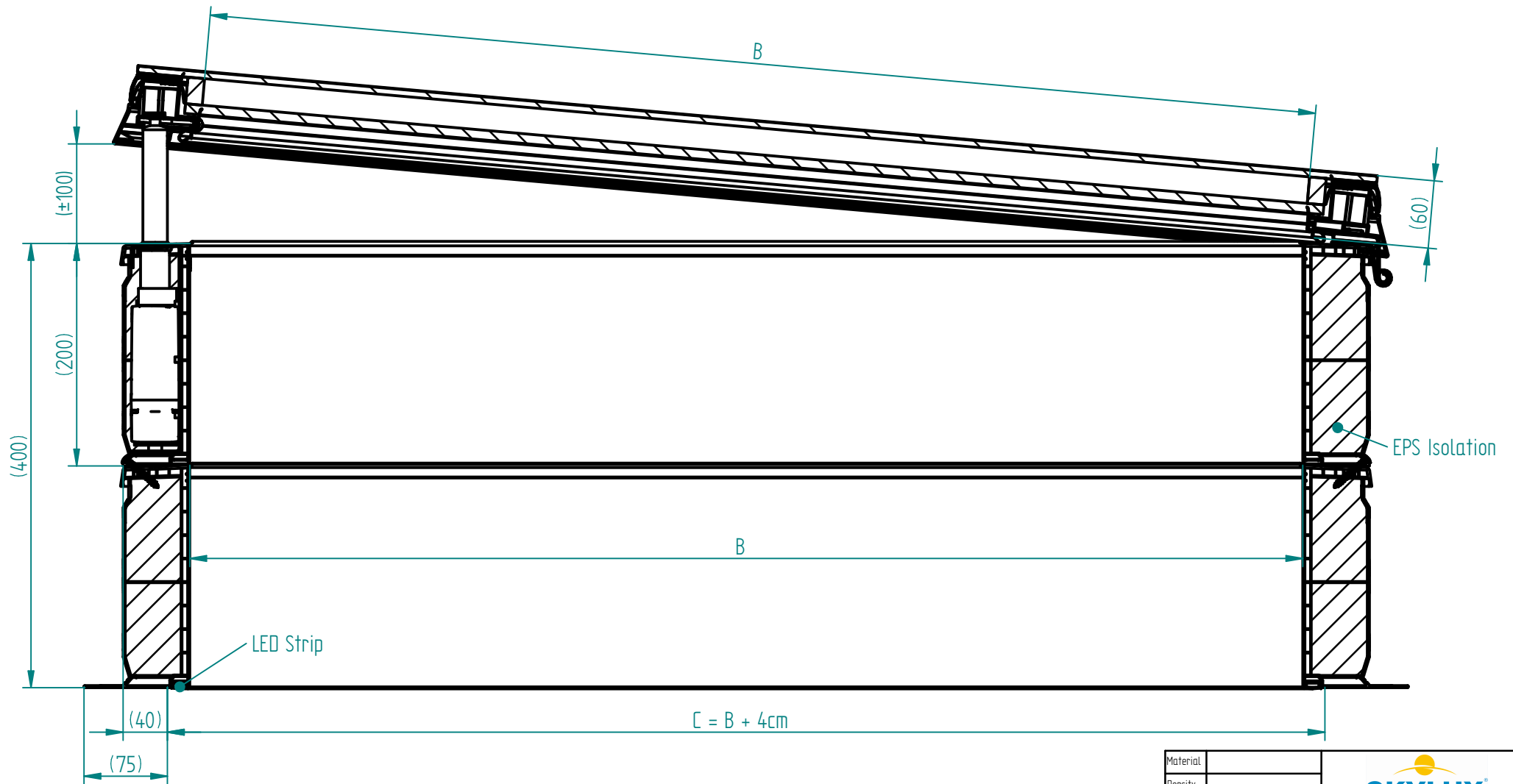


SKYLUX iWindow2 + PVC 2000 EP + PVC 2000 EP-S open.
 For dimension B see price list.

REVISION HISTORY			
REV	DESCRIPTION	DATE	APPROVED



Material		
Density		
Mass	0,000 kg	
Volume	0,00 dm ³	
Surface		
Ixx	0,000000 kg·mm ²	
Designer	pide	
Date	8/06/2017	
TOLERANCES: according appropriate standard e.g. EN12020-2, DIN1041, DIN1691, DIN7168 Middle...		
FILE NAME:	iwindow2 met pvc opstand 2000EP + 2000	
TITLE:		
A4		
Last modification on	9/06/2017	
SCALE:		
SHEET 1 OF 1		