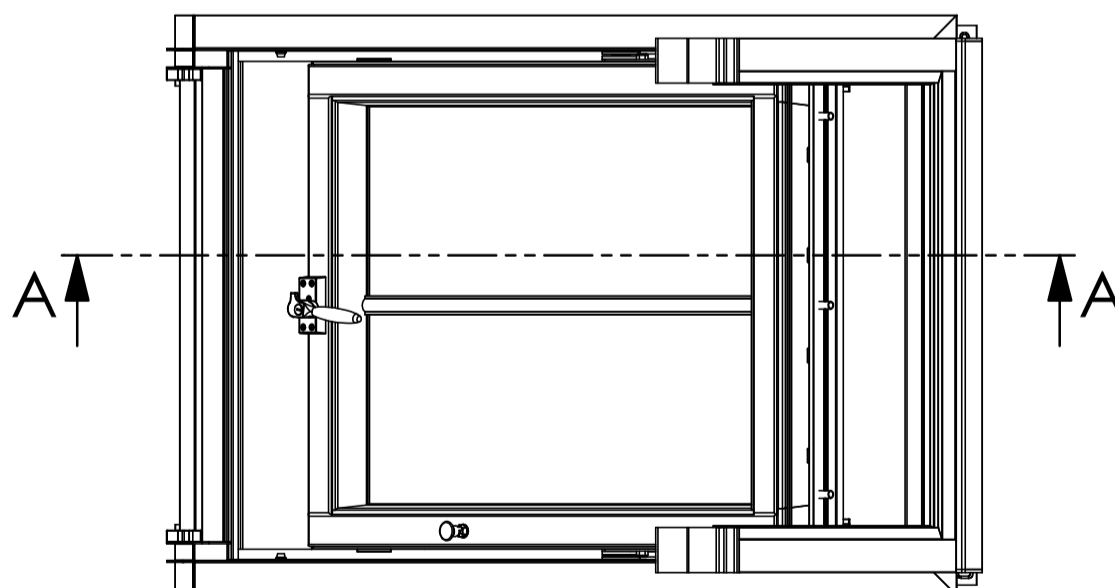




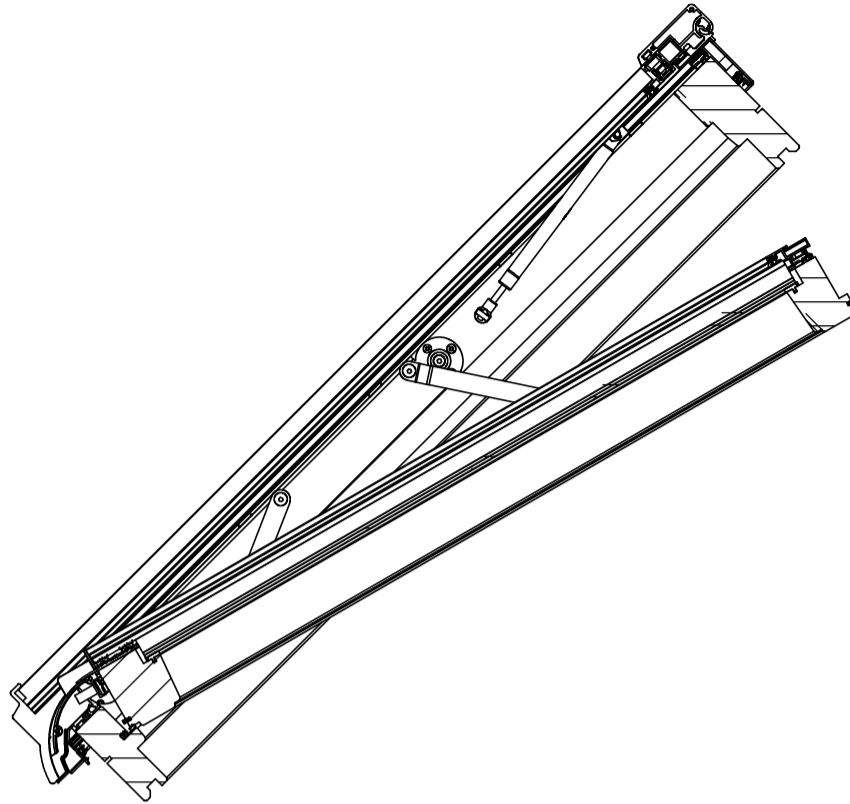
SECTION A-A

SCALE 1 : 8

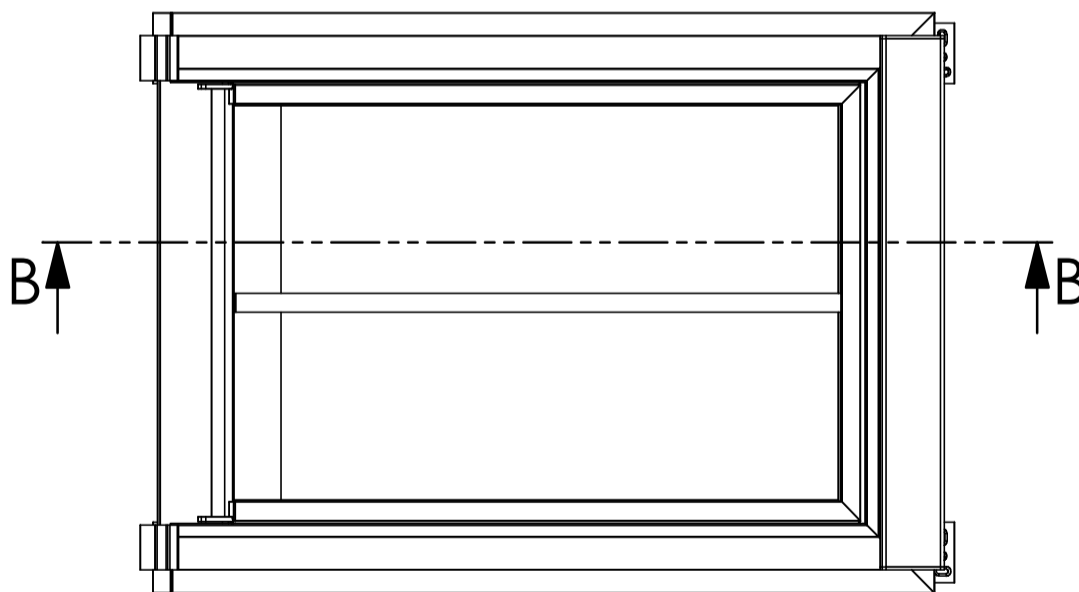


Lacquered Surface:

Material			
Density	kg/m <sup>3</sup>		
Mass	kg		
Anodisation Surface	mm <sup>2</sup>		
Revision		File name	
State		Title Skylux roof window SKY20 Open	
Designer			
Date Created	19/04/2017	Artn°	Ext. Artn°
Tolerances		Last modification on	By
		Scale 1:10	Format A3 Sheet 1/3

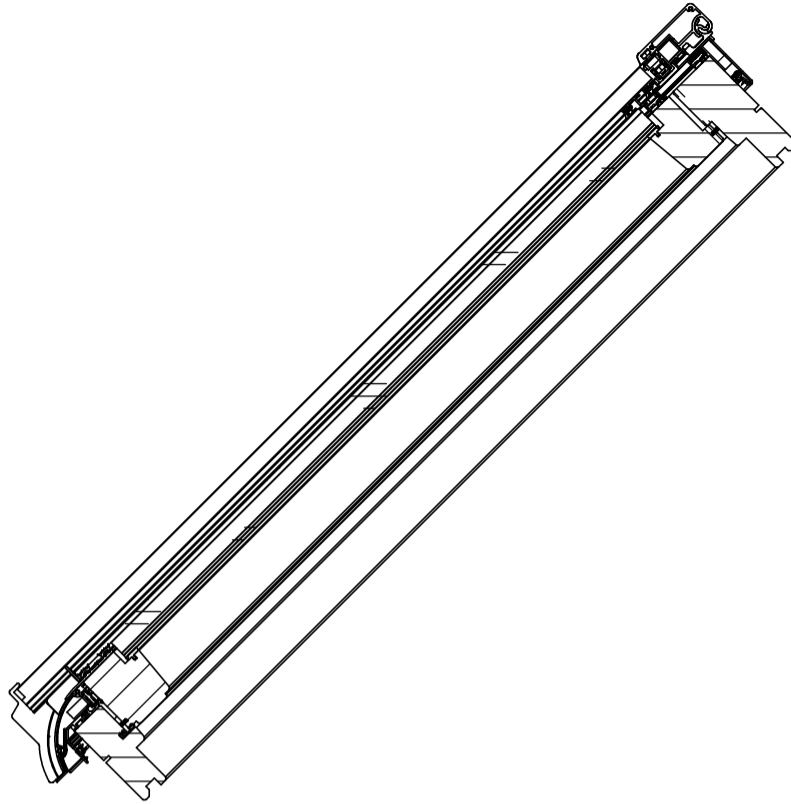


SECTION B-B  
SCALE 1 : 8

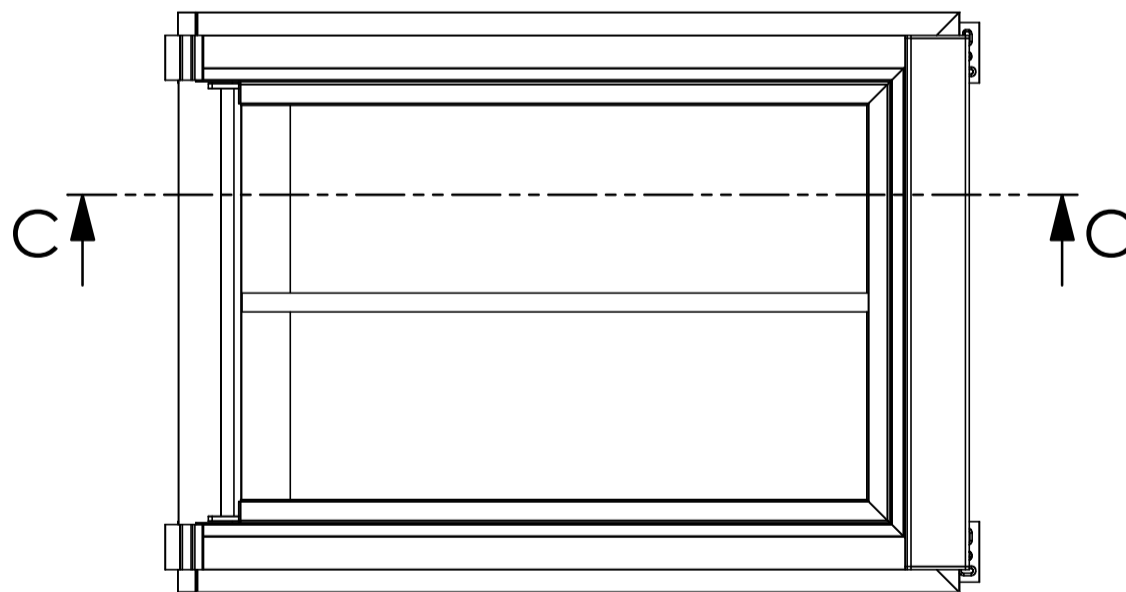


Lacquered Surface:

Material			
Density	kg/m <sup>3</sup>		
Mass	kg		
Anodisation Surface	mm <sup>2</sup>		
Revision		File name	
State		Title Skylux roof window SKY20 15°	
Designer			
Date Created	19/04/2017	Artn°	Ext. Artn°
Tolerances		Last modification on	
		Scale	By
		1:10	A3
		Format	Sheet
			2/3



SECTION C-C  
SCALE 1 : 8



Lacquered Surface:

Material			
Density	kg/m <sup>3</sup>		
Mass	kg		
Anodisation Surface	mm <sup>2</sup>		
Revision		File name	
State		Title Skylux roof window SKY20 Closed	
Designer			
Date Created	19/04/2017	Artn°	Ext. Artn°
Tolerances		Last modification on	By
		Scale 1:10	Format A3 Sheet 3/3