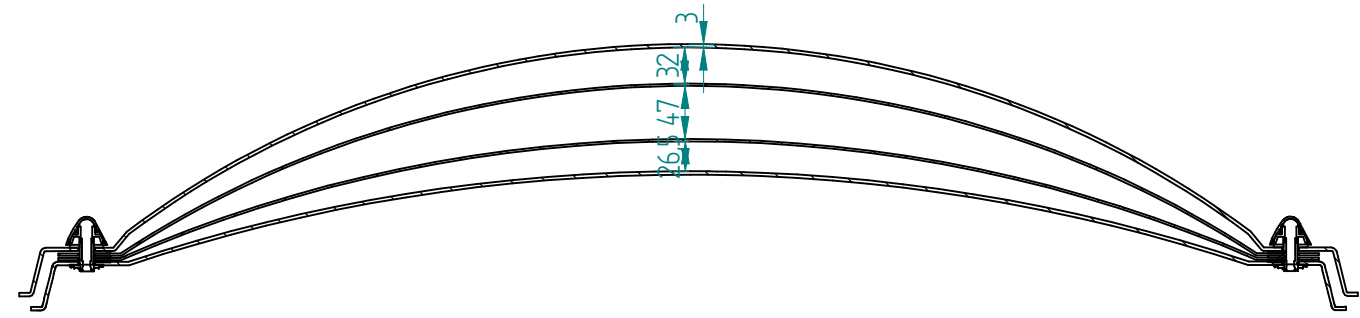
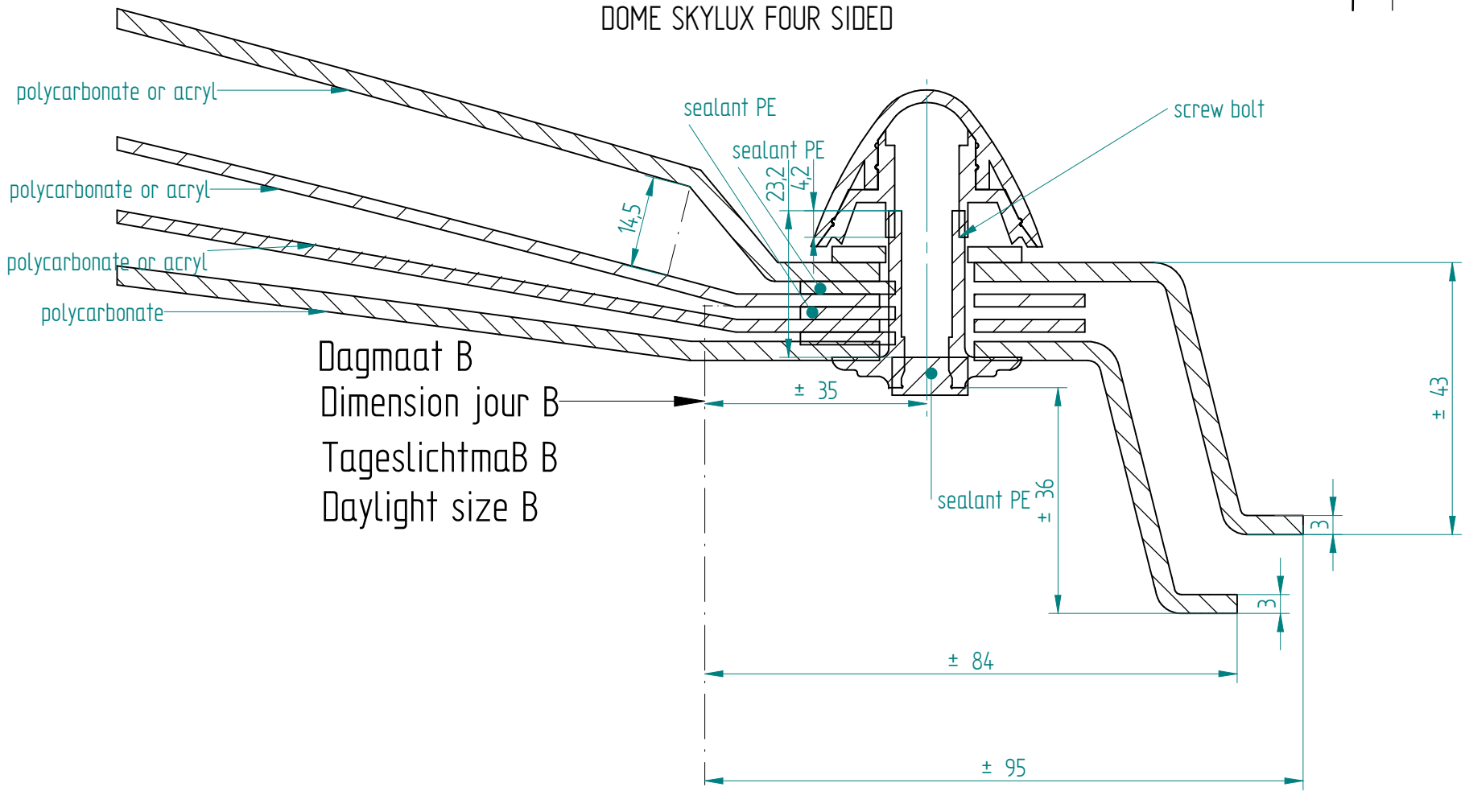


REV	DESCRIPTION	DATE	APPROVED

DOME SKYLUX FOUR SIDED



Material		 AG Plastics NV	
Density			
Mass	0,000 kg		
Volume	0,00 mm ³		
Surface			
Ixx	0,000000 kg·mm ²	FILE NAME: doorsnede flens 4w koepel.dft	
Designer	Tony Destrooper	TITLE:	
Date	7/10/2009	A2	
UNLESS OTHERWISE SPECIFIED DIMENSIONS ARE IN MILLIMETERS ANGLES °XX' X" 2 PL °XX'X 3 PL °XX'XX		Last modification on	21/06/2013
SCALE:			SHEET 1 OF 1