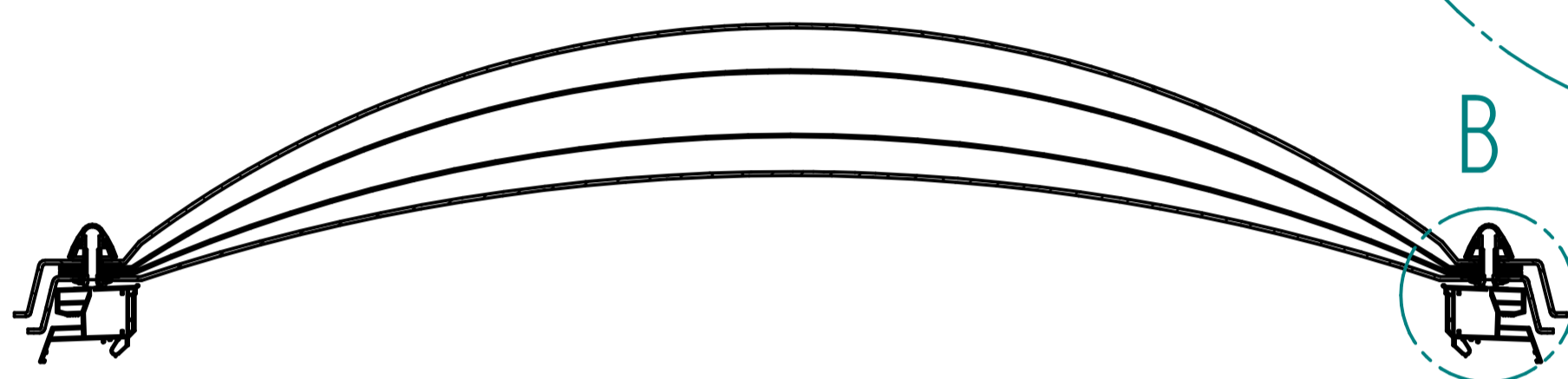
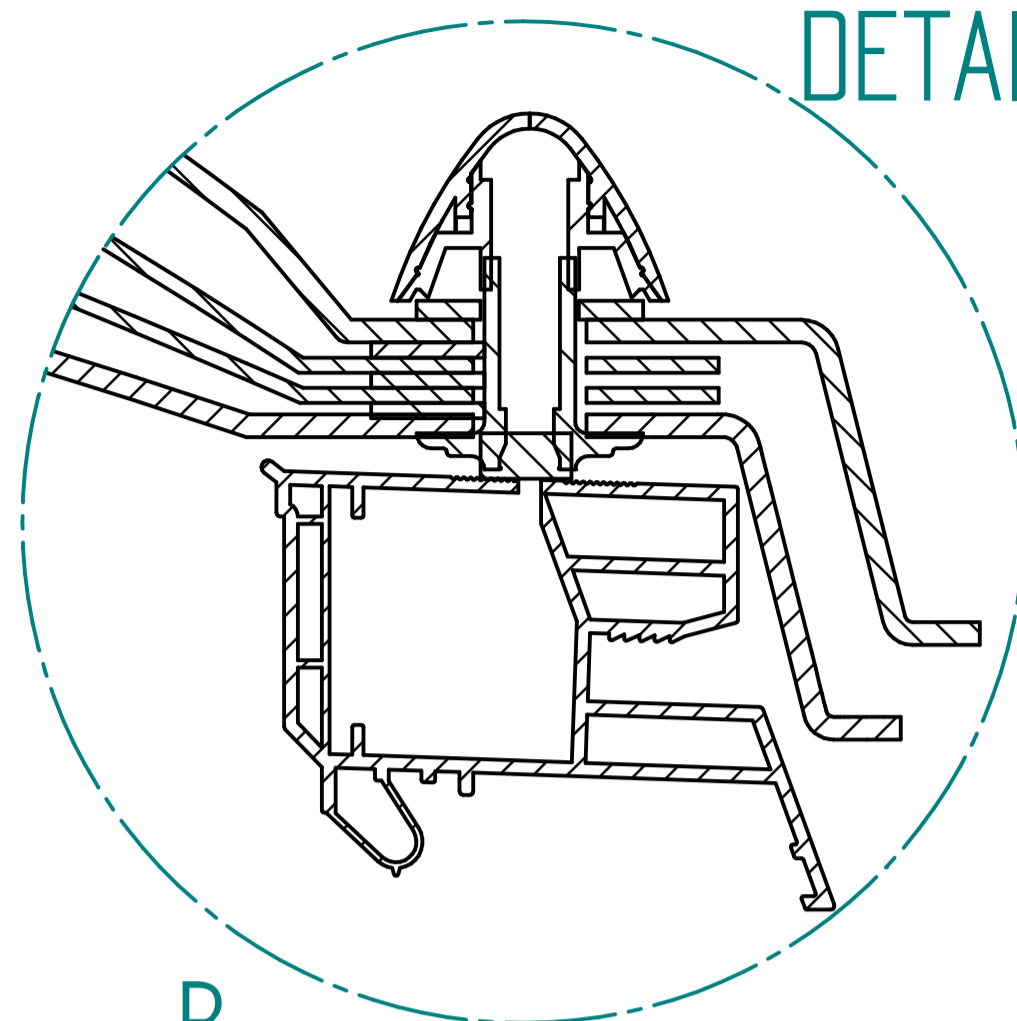


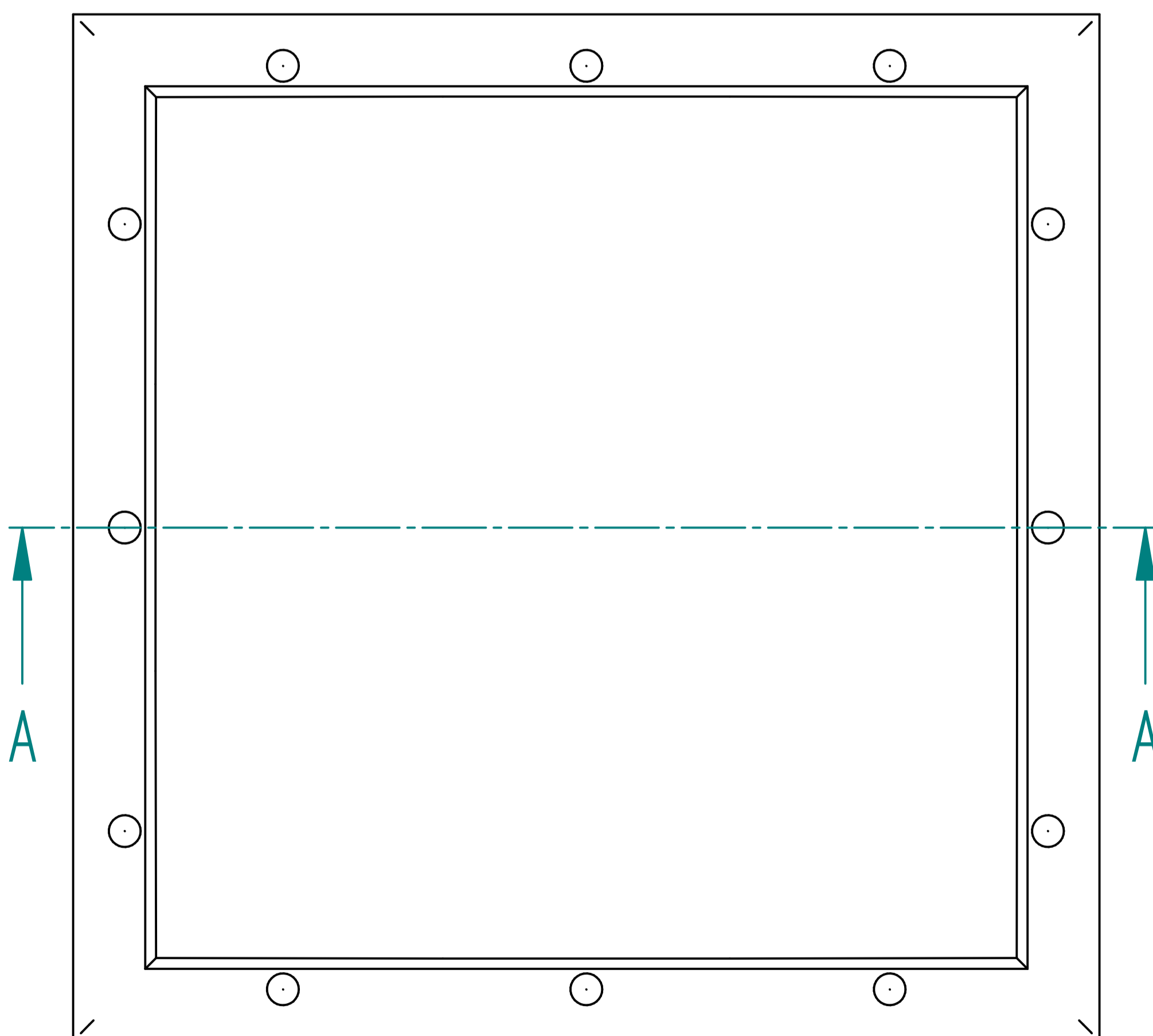
REVISION HISTORY			
REV	DESCRIPTION	DATE	APPROVED


# Skylux frame + dome four walled

## DETAIL B



## SECTION A-A



Material		
Density		
Mass	0,000 kg	
Volume	0,00 dm <sup>3</sup>	
Surface		
Ixx	0,000000 kg.mm <sup>2</sup>	
Designer	tods	FILE NAME: PVC raam + 4 W koepel.dft
Date	6/05/2013	TITLE:
UNLESS OTHERWISE SPECIFIED DIMENSIONS ARE IN MILLIMETERS ANGLES *XX° 2 PL *XXX 3 PL *XXXX		A2
		Last modification on 6/05/2013
		SCALE:
		SHEET 1 OF 1