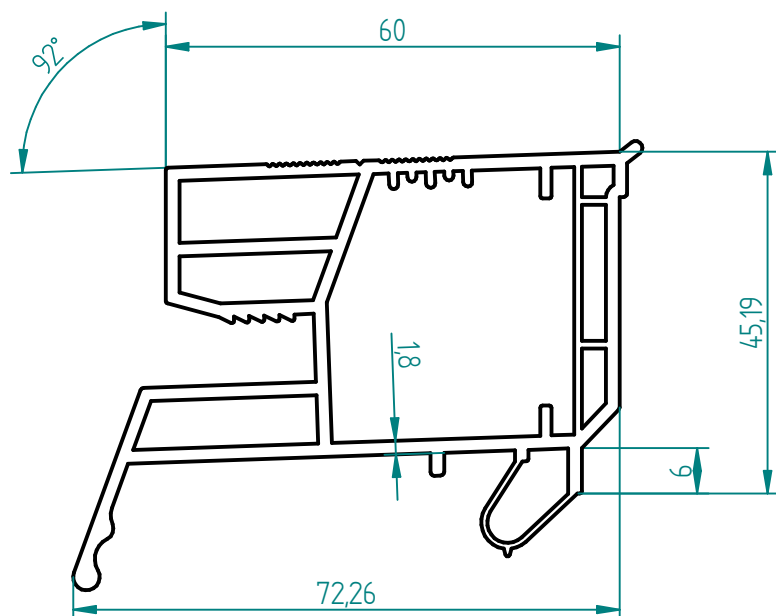



PVC raamprofiel type sundome E

REVISION HISTORY			
REV	DESCRIPTION	DATE	APPROVED



Material	PVC	
Density	1,385 kg/dm ³	
Mass	0,910 kg	
Volume	0,66 dm ³	
Surface	0,78 m ²	FILE NAME: PVC raamprofiel type sundome E.dft
Ixx	303508,906250 kg,mm ²	TITLE:
Designer	fods	A4
Date	9/04/2014	1
<small>UNLESS OTHERWISE SPECIFIED DIMENSIONS ARE IN MILLIMETERS ANGLES +XX° 2 PL +XXX 3 PL +XXXX</small>		Last modification on 15/12/2016
SCALE:		SHEET 1 OF 1