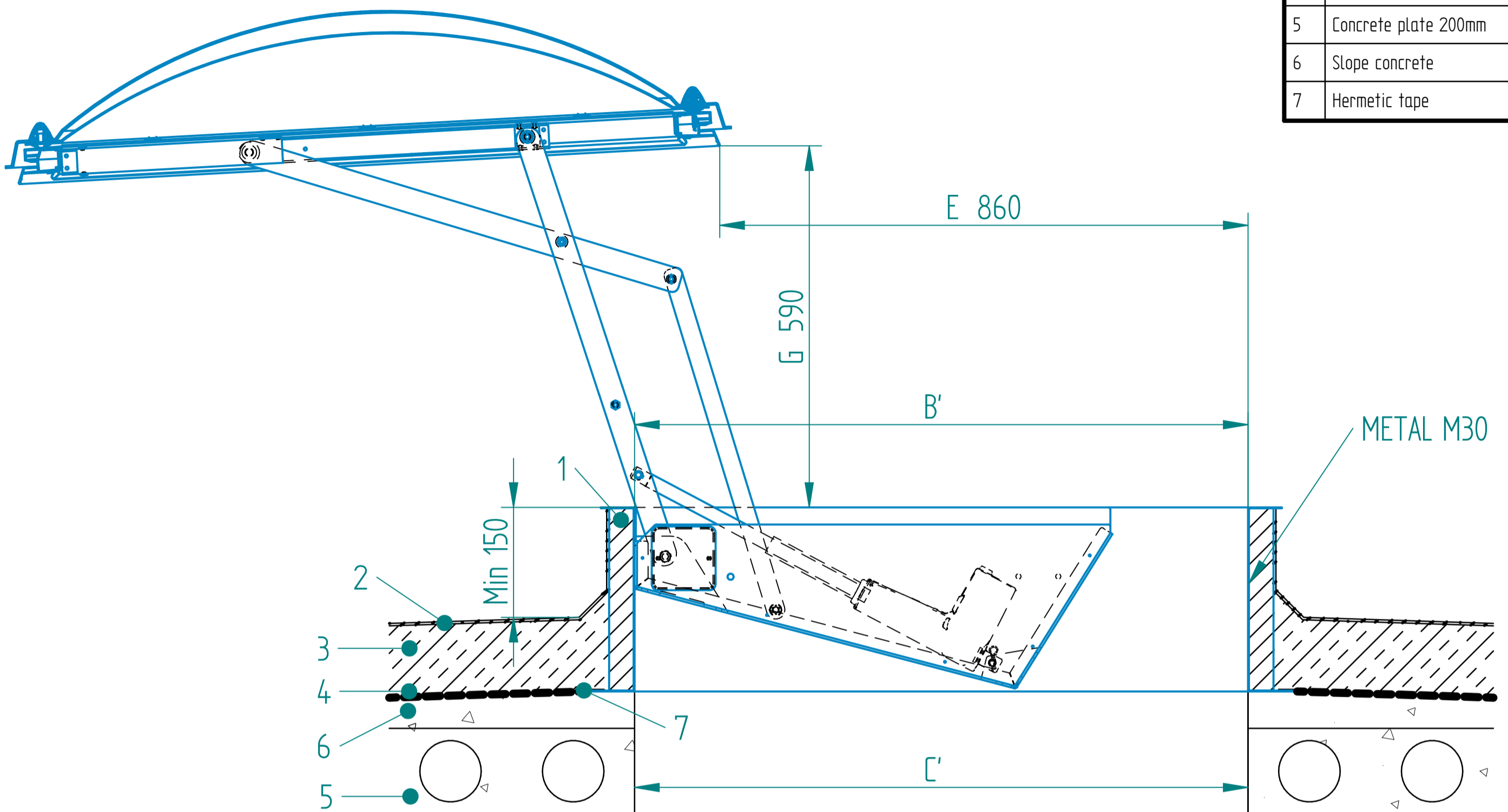


SKYMAX CE ELECTRIC M30 OPEN with Skylux dome,
mounted in concrete flat roof construction.

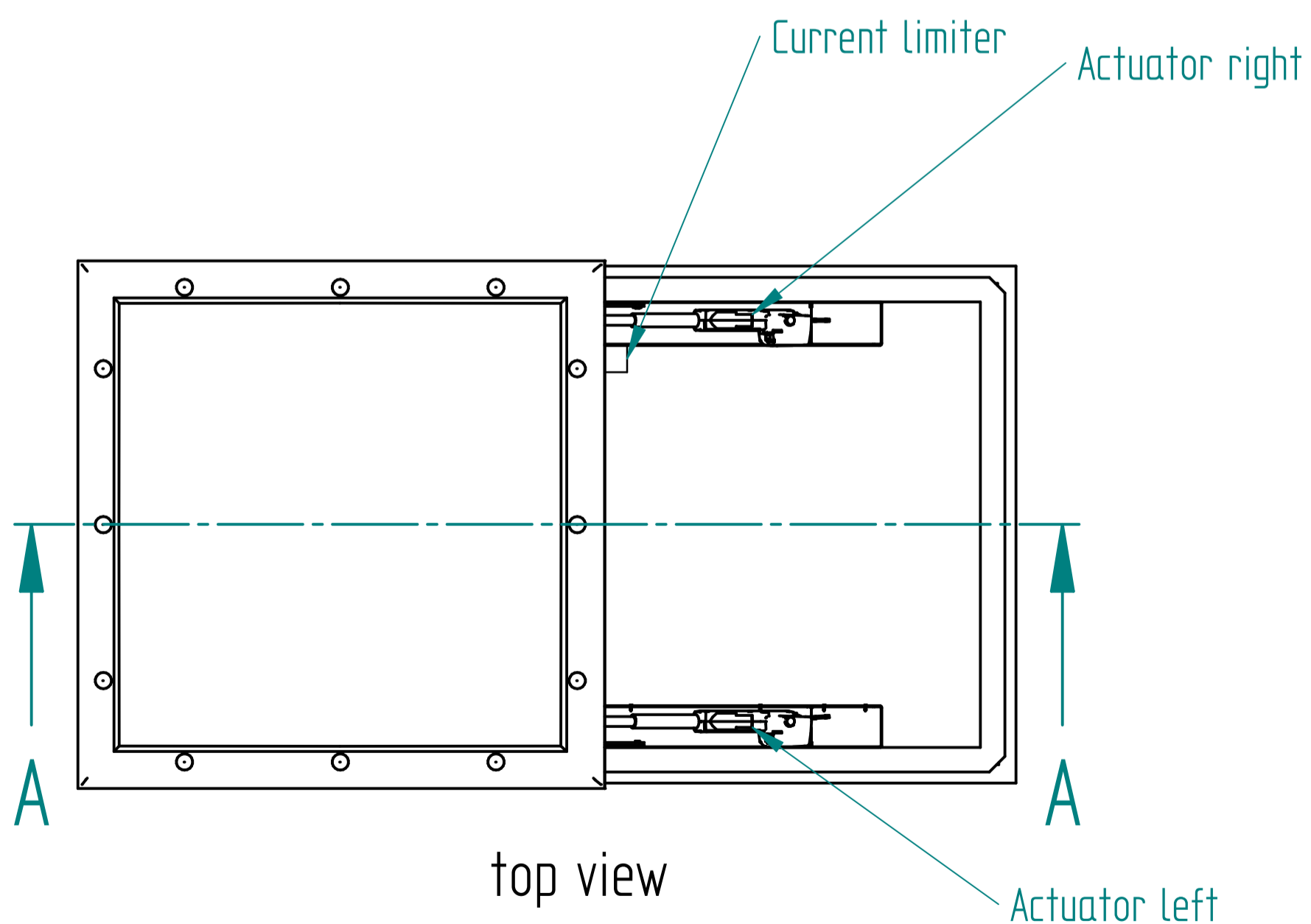
This drawing is purely informative. For more information
we refer to the technical file of the product.

REVISION HISTORY			
REV	DESCRIPTION	DATE	APPROVED

1	Dome curb
2	Roofing material
3	Isolation 120mm
4	Damp foil
5	Concrete plate 200mm
6	Slope concrete
7	Hermetic tape



SECTION A-A
cross section



top view

M30	B	B'	C	C'	E	G
100 x 100	1000	1000	1000	1000	860	590
80 x 130	800	1300	800	1300	860	590
90 x 120	900	1200	900	1200	860	590
120 x 120	1200	1200	1200	1200	860	590

Material		
Density		
Mass	0,000 kg	
Volume	0,00 dm ³	
Surface		
Ixx	0,000000 kg.mm ²	
Designer	pide	
Date	16/05/2017	FILE NAME: Skymax M30 open Skylux dome
UNLESS OTHERWISE SPECIFIED DIMENSIONS ARE IN MILLIMETERS ANGLES *XX° 2 PL *XXX 3 PL *XXXX		TITLE: 6
		A2
		Last modification on 18/05/2017
		SCALE:
		SHEET 1 OF 1