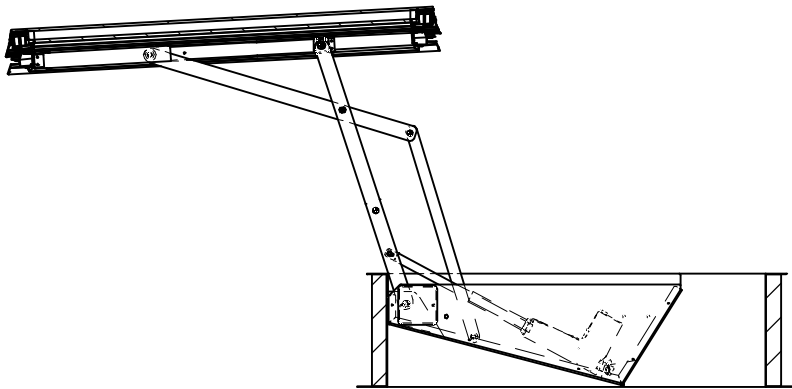


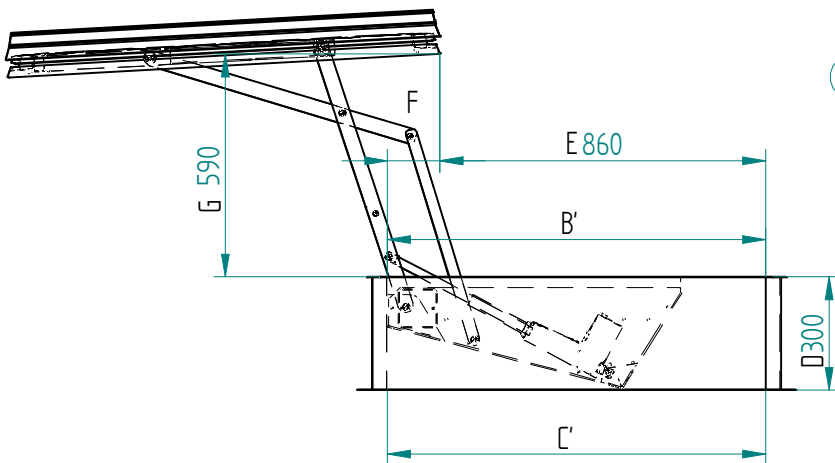
SKYMAX CE ELECTRIC M30 OPEN
Skylux iWindow2

REVISION HISTORY			
REV	DESCRIPTION	DATE	APPROVED

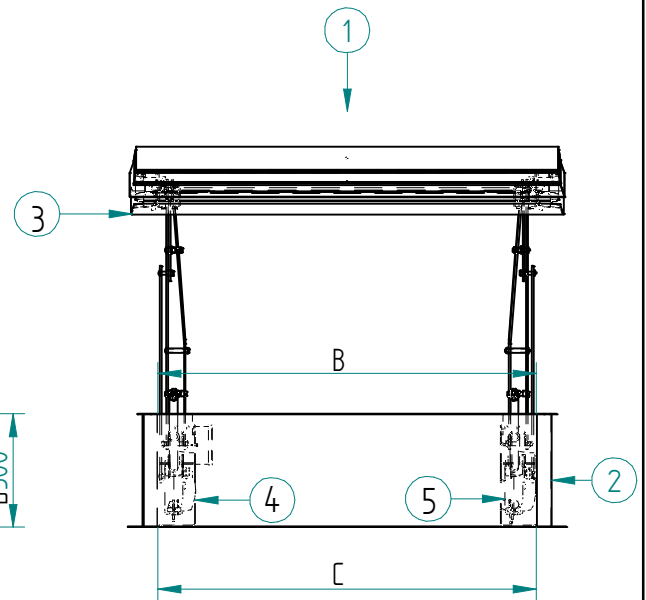
1	iWindow2
2	curb
3	frame
4	actuator right
5	actuator left



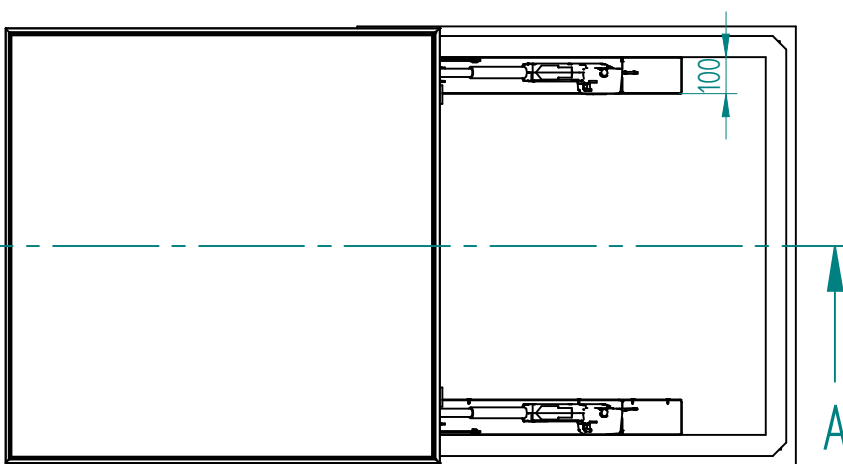
SECTION A-A
cross section



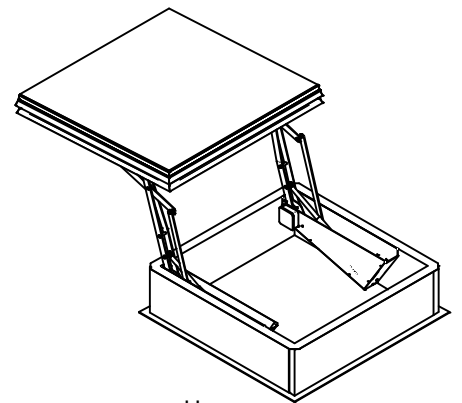
front view



side view




top view



perspective

M30	B	B'	C	C'	D	E	F	G
70 x 100	700	1000	700	1000	300	860	140	590
80 x 130	800	1300	800	1300	300	860	440	590
90 x 120	900	1200	900	1200	300	860	340	590
100 x 100	1000	1000	1000	1000	300	860	140	590
110 x 110	1100	1100	1100	1100	300	860	340	590
120 x 120	1200	1200	1200	1200	300	860	240	590

Material		
Density		
Mass	0,000 kg	FILE NAME: Skymax M30 open Skylux iWindow2.dwg TITLE:
Volume	0,00 dm ³	
Surface		A2
Ixx	0,000000 kg.mm ²	
Designer	trads	6 1
Date	27/02/2017	
UNLESS OTHERWISE SPECIFIED DIMENSIONS ARE IN MILLIMETERS ANGLES °X'X" 2 PL 3XXX 3 PL 4XXXX		Last modification on 4/01/2019 SCALE:
		SHEET 1 OF 1