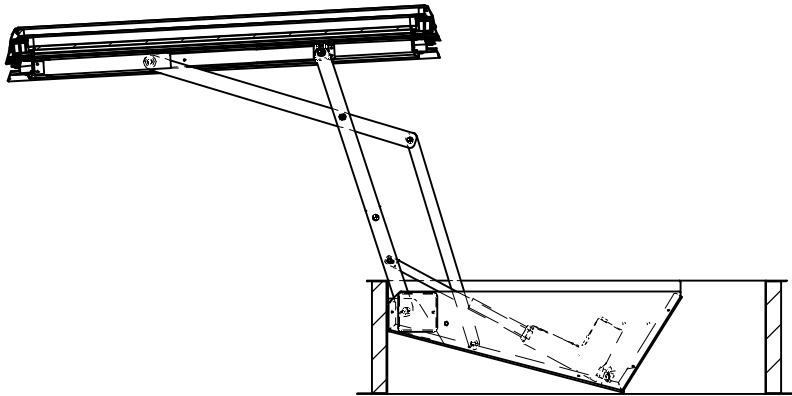


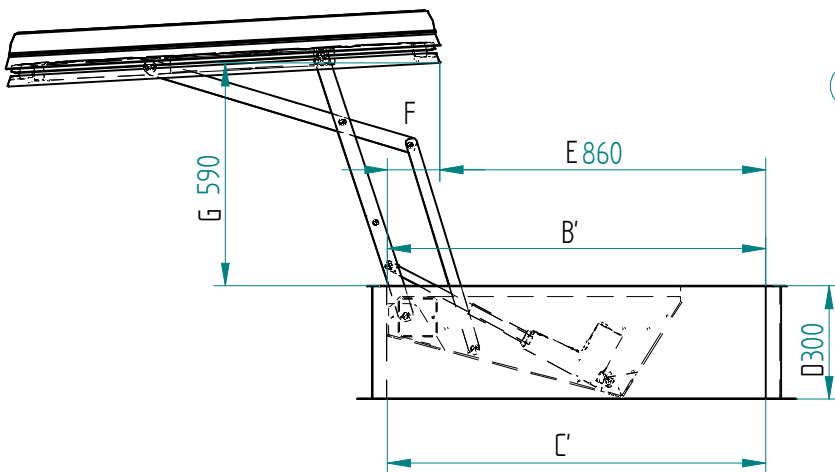
SKYMAX CE ELECTRIC M30 OPEN
Skylux iWindow3

REVISION HISTORY			
REV	DESCRIPTION	DATE	APPROVED

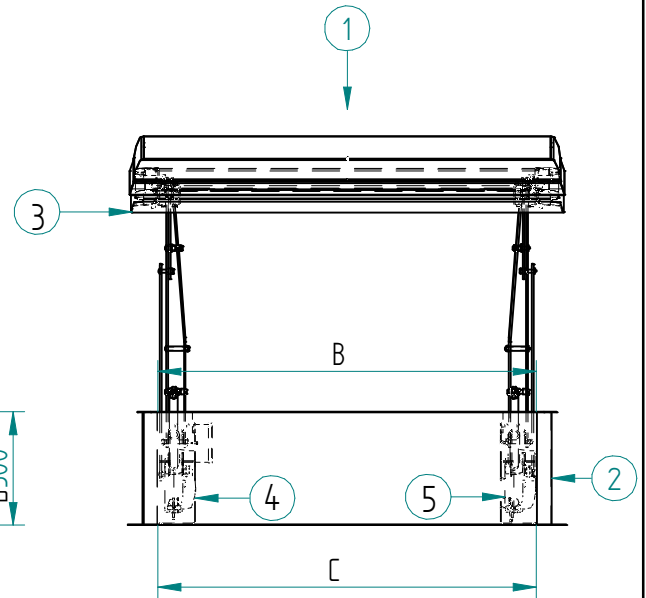
1	iWindow3
2	curb
3	frame
4	actuator right
5	actuator left



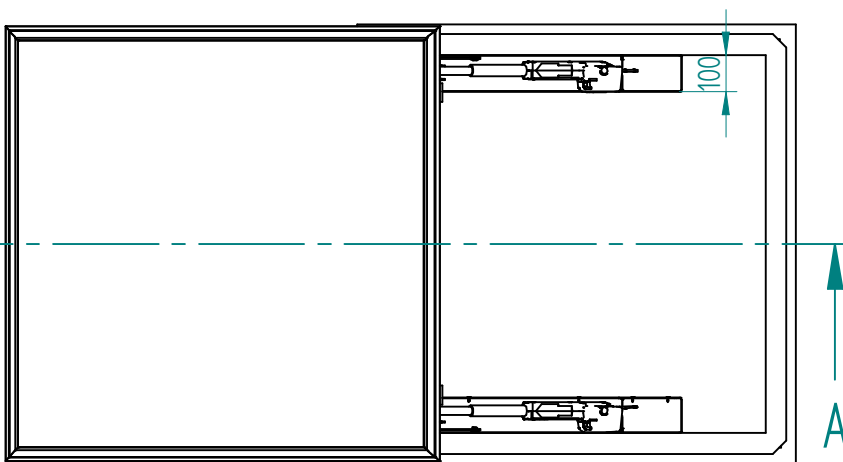
SECTION A-A
cross section



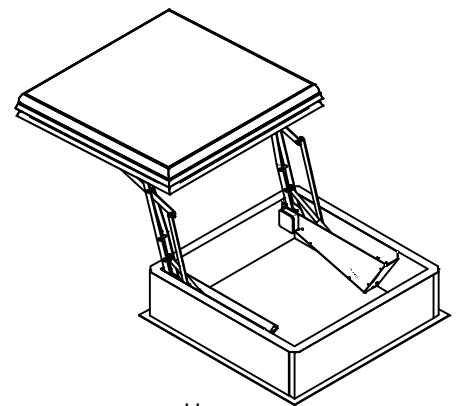
front view



side view



top view



perspective

M30	B	B'	C	C'	D	E	F	G
100 x 100	1000	1000	1000	1000	300	860	140	590

Material		
Density		
Mass	0,000 kg	FILE NAME: Skymax M30 open Skylux iWindow3.dwg TITLE:
Volume	0,00 dm ³	
Surface		A2 Last modification on 14/11/2018 SCALE:
Ixx	0,000000 kg.mm ²	
Designer	tods	6 1
Date	27/02/2017	
UNLESS OTHERWISE SPECIFIED DIMENSIONS ARE IN MILLIMETERS ANGLES °X'X" 2 PL=XXXX 3 PL=XXXXX		SHEET 1 OF 1